

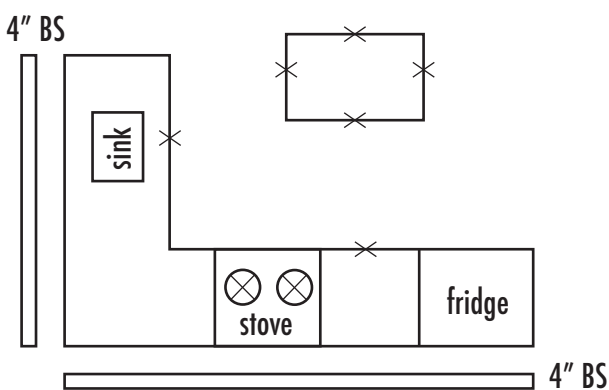
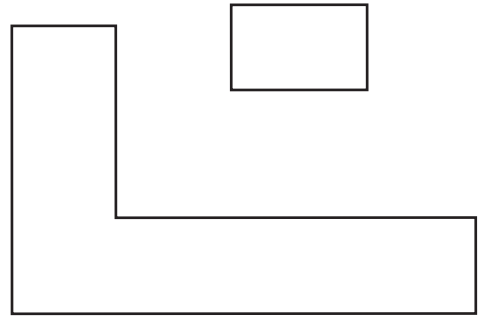
How to measure KITCHEN COUNTERTOPS

COUNTERTOP
SOLUTIONS

Items needed: Pen, Paper, Tape Measure

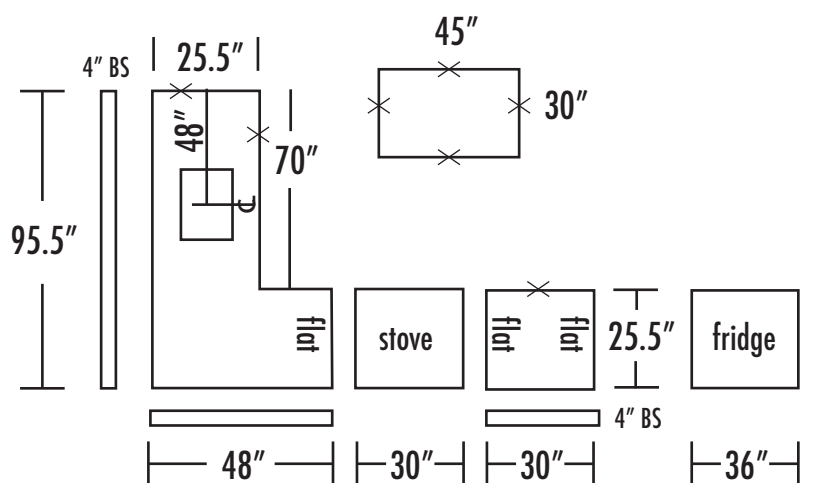
STEP 1: MAKE A DIAGRAM

Sketch the basic shapes in the area.



STEP 2: MARK LOCATIONS

Mark the locations of the sink, dishwasher, fridge, stove, window, backsplash, and polish edge.



STEP 4: CONTACT US

Call 240.625.9055 or visit us at
286 Langston Blvd, Martinsburg, WV 25404.